

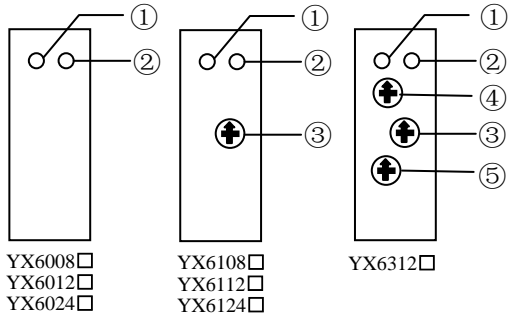
Floatless Level Switch



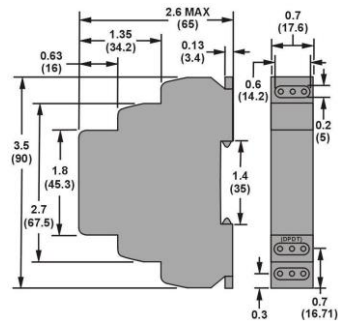
Contact Configuration
Universal Power Supply
2LED Status Indicators
SPDT

Rate Current 5A/16A
Only 17.5 mm Wide
DIN Rail Mountable
CE RoHS Compliant

MODEL & EXPLANATION

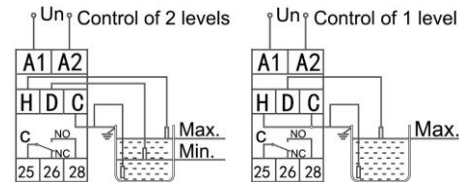


DIMENSIONS INCHES(MILLIMETERS)



- ① Power Indicator
- ② Work Indicator
- ③ Sensitivity Adjustment
- ④ Water supply / drainage options
- ⑤ Time for Action Delay

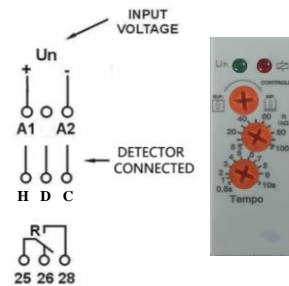
WIRING DIAGRAMS: YX6312***



Water supply/Drainage
Same as YX60/61 Series

Water supply: When water level of tank reaches D, pump stops working and stops the water intake. When water level drops below D, the delay starts. When the time is up, the pump starts working and supply water.

Drainage: When water level of tank reaches D, pump starts working and starts to drain. When water level drops below D, the delay starts. When the time is up, the pump stops working and stops draining.



Floatless Level Switch

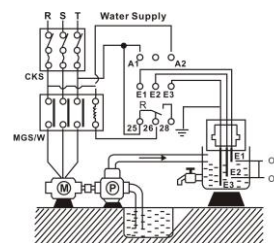


Contact Configuration
Universal Power Supply
2LED Status Indicators
SPDT or DPDT

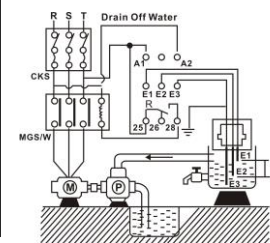
Rate Current 5A/16A
Only 17.5 mm Wide
DIN Rail Mountable
CE RoHS Compliant

Type	Technical Data	Applicable Environment
YX6008□	Low Sensitivity, Fixed	Used for liquid with low intrinsic resistance, such as salt water, sewage and Acid-base liquid medicine.
YX6108□	Low Sensitivity, Adjustable	
YX6012□	Medium Sensitivity, Fixed	Used for normal purified water and sewage.
YX6112□	Medium Sensitivity, Adjustable	
YX6024□	High Sensitivity, Fixed	Used for liquid with high intrinsic resistance, such as distilled water.
YX6124□	High Sensitivity, Adjustable	
YX6312□	Sensitivity Adjustable: 5K-100KΩ Delay Time Adjustable: 0.5-10S	Used for domestic water systems, sewage treatment systems and special liquid supply systems.
<p>□: Operating voltage: 220: AC220V D24: DC24V A24: AC24V H33: AC/DC24-240V More...</p>		

WIRING DIAGRAMS: YX60***** YX61*****



When water reaches E1, motor stops automatically and when water drains below E2, motor operates automatically. When motor operations, Lamp is OFF.



When water reaches E1, motor Start. Automatically and when water drains below E2, motor stop automatically. When motor operations, Lamp is ON.