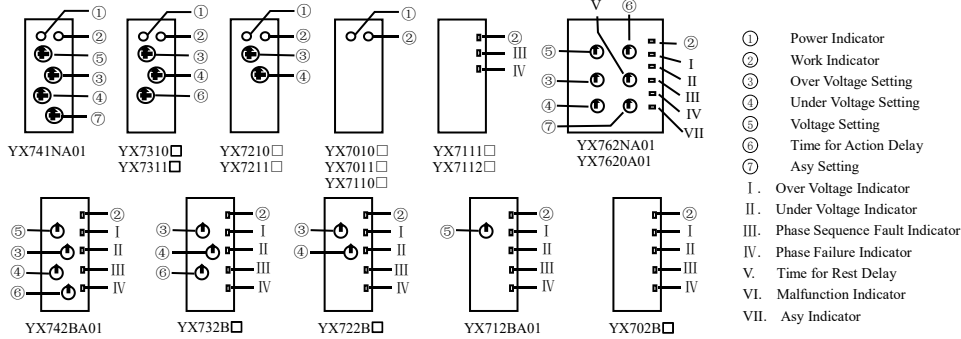


PHASE & VOLTAGE PROTECTION RELAY

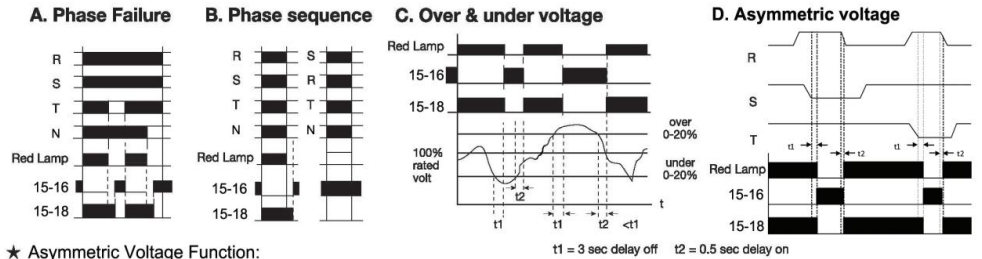
MODEL & EXPLANATION



	Type	O. V.	U. V.	D. Time	Ph. Seq.	Ph. Fail.	Asy
Single Phase	YX7011□	15%		3S	—	—	—
	YX7211□	0-20%	0-20%	3S	—	—	—
	YX7311□	0-20%	0-20%	0.1-10S	—	—	—
3P3W	YX7010□	15%		3S	✓	✓	—
	YX7210□	0-20%	0-20%	3S	✓	✓	—
	YX7310□	0-20%	0-20%	0.1-10S	✓	✓	—
	YX7110H11	—	—	3S	—	✓	—
	YX7111H11	—	—	3S	✓	✓	—
	YX7620A01	0-30%	0-30%	ON:0.1-10S OFF:0.1-10S	✓	✓	5-40%
3P4W	YX741NA01	0-20%	0-20%	3S	✓	✓	5-15%
	YX711N□	—	—	3S	✓	✓	—
	YX7112H11	—	—	3S	✓	✓	—
3P3W & 3P4W	YX762NA01	0-30%	0-30%	ON:0.1-10S OFF:0.1-10S	✓	✓	5-40%
	YX702B□	15%		3S	✓	✓	✓
	YX712BA01	15%		3S	✓	✓	✓
	YX722B□	0-20%	0-20%	3S	✓	✓	✓
	YX732B□	0-20%	0-20%	0.1-10S	✓	✓	✓
	YX742BA01	0-20%	0-20%	0.1-10S	✓	✓	✓

ITEM NO.	SINGLE PHASE	3P3W	3P4W	3P3W&3P4W
RATED VOLTAGE	AC 110V,220V,230V,240V	AC 220V,240V,380V,400V,415V,440V	AC127-254V (L/N)	
FREQUENCY	50 or 60Hz		50/60Hz	
RESPONSE TIME OF RELAY	DELAY ON : 0.5S or 0.1-10S		DELAY OFF : 3S or 0.1-10S	
CONTACT RATING	3A/250VAC			8A/250VAC DPDT
RESET TIME	0.2 Sec Max			
AMBIENT TEMP	-10°C — 55°C			
SETTING ERROR	± 10% MAX			
REPEAT ERROR	± 2% MAX			

OPERATION CHART (3P4W 3P3W&3P4W)



★ Asymmetric Voltage Function:

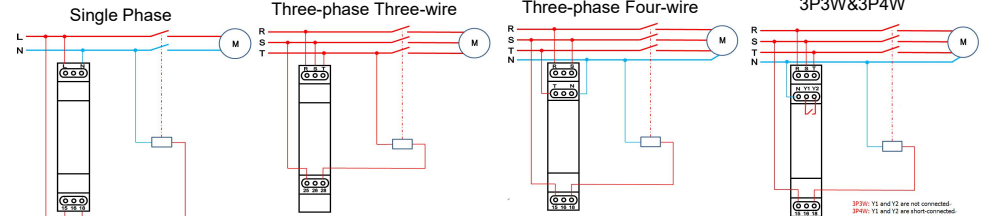
(The highest voltage of phase a,b,c)-(The lowest voltage of phase a,b,c)

(The highest voltage of phase a,b,c)

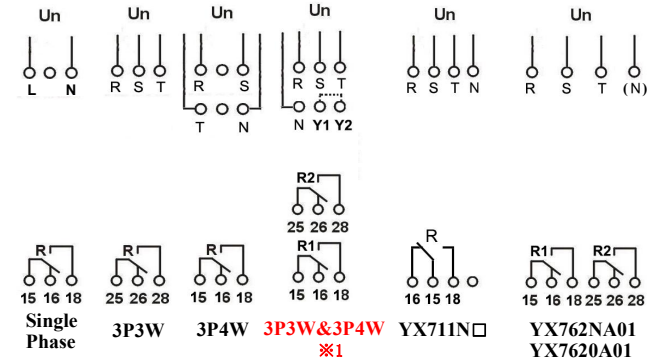
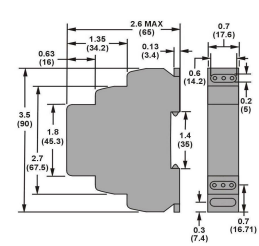
% ≥ Asymmetric voltage limit 5%-15%

Relay 15-18 Off Red Lamp Off

WIRING DIAGRAMS



DIMENSIONS INCHES (MILLIMETERS)



※1 3P3W&3P4W series are three-phase three-wire and three-phase four wire in common use. Connection methods:
3P3W: Y1 and Y2 are not connected 3P4W: Y1 and Y2 are short-connected

□: Operating voltage.

110:110VAC 220:220VAC 380:380VAC 415:415VAC 440:440VAC H11:208-480VAC L/L A01: L/N 127V-254VAC or L/L 220-259VAC