



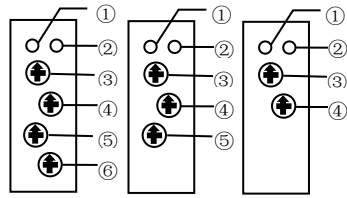
Current Monitoring Relay



Wide operating voltage
Double insulation level
Adjustable protection delay and reset delay
External transformer can be connected to expand the scope of use

17.5 mm/36mm width
DIN rail mounting
Suitable for monitoring the running current of various equipment

MODEL & EXPLANATION



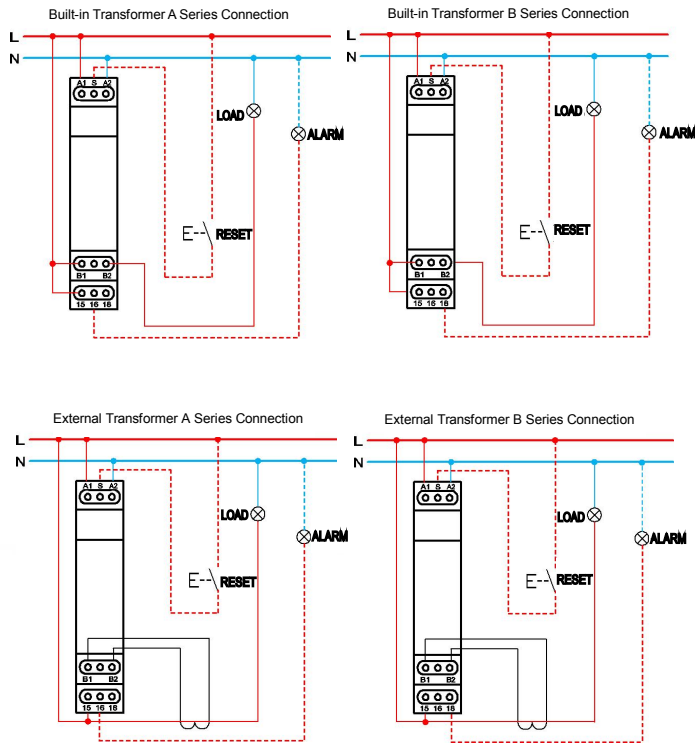
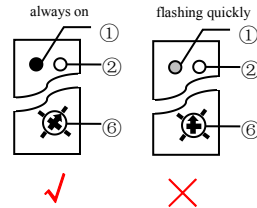
YX8413*** YX831**** YX821*****

- A&B Series**
- ① Power Indicator
 - ② Work Indicator
 - ③ Current range selection
 - ④ Power on delay setting
 - ⑤ Protection delay setting
 - ⑥ Over current/under current mode selection

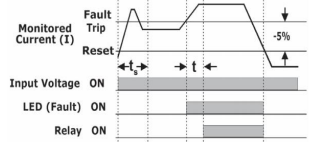
- C Series**
- ① Power Indicator
 - ② Work Indicator
 - ③ Current range selection
 - ④ Protection delay setting
 - ⑤ Reset delay setting
 - ⑥ Over current/under current mode selection

Precautions for use:
When the product is powered on, the power-on delay PT is executed first, and the power light flashes slowly. At this time, the current is not monitored, and the starting current value of the load is ignored. When the delay is completed, it will enter the normal monitoring mode.
As for YX84****, when using the over/under current function selection knob, please note that: When the power light is flashing quickly, the adjusting knob is not under the normal function area. Only when the power light is always on, it is in the correct position.

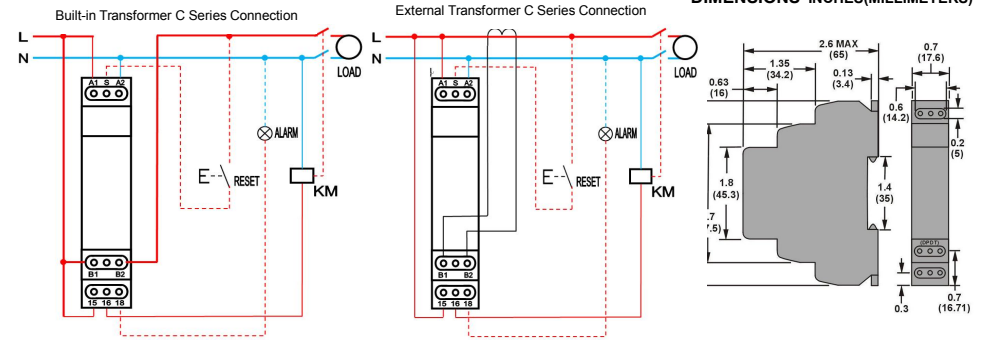
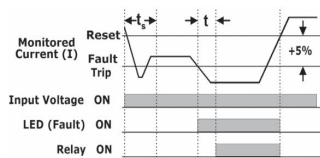
YX84**** current mode selection



Over Current



Under Current



Model No.	Description	Action Chart	Technical Parameter								
A Series		A Series: The load working through NO Contact	No.&Type of Contact	SPDT							
YX82*1A**	Over Current		Material of Contact	Silver Alloy							
YX82*2A**	Under Current		Voltage Range	AC/DC12-240V or Single Voltage							
YX83*1A**	Over Current		Max. Consumption	3VA(AC) 1.7W (DC)							
YX83*2A**	Under Current		Protection Delay Range	Max.10S							
YX84*3A**	Over/Under Current		Reset Delay Range	Max.60S or Manual							
			Electrical Life	10 ⁵							
B&C Series		B Series: The load working through NC Contact	Mechanical Life	10 ⁷							
YX82*1B**	Over Current		Voltage resistance between input and contacts	2500VAC							
YX82*2B**	Under Current		Voltage resistance between contacts	1000VAC							
YX83*1B**	Over Current		Terminal wire capacity	14AWG(2.1mm ²)							
YX83*2B**	Under Current		Terminal torque	7.1 lbf in (0.8Nm)							
YX84*3B**	Over/Under Current		Storage temperature	-30°C - +70°C							
			Operating temperature	-20°C - +55°C							
YX8413C**	Over/Under Current	C Series: The load working through NC Contact									
Model Naming Rules											
YX	8	4	1	3	B	10					
	Current Specification	Output Protection Mode	Protection Type	Product Width	Number of Knob	Current Protection Relay	Design Serial Number				
	01---1A 02---2A 05---5A 10---10A 16---16A	A---NO Type B---NC Type Power On Delay C---NC Type Reset Delay	1---Over Current 2---Under Current 3---Over/Under Current	1---18mm 3---36mm	2---2 3---3 4---4						